

Date: 2026/06/05

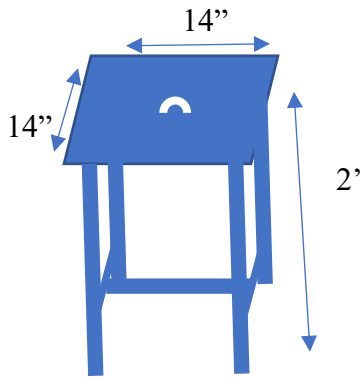
Notification of Amendments Following the Pre-Bid Meeting Held on 2026.06.04

With reference to the Pre-Bid Meeting conducted on **04th of June, 2026** regarding the ongoing procurement process of “Supply & Delivery Office Furniture for the Regional Centers, Head Office and Higher Education Sections of the Ocean University of Sri Lanka – 2026”, this is to formally notify that several changes and amendments have been made subsequent to the discussions and clarifications raised during the meeting.

Accordingly, the following updates have been incorporated into the relevant procurement documentation:

1. Item No. 01 – Classroom Chairs with Writing Pad
Foldable writing pad: should be Melamine Board 15mm.
2. Item No. 02 – Exam Hall Chair
Should be Changed as per the attachment page No.3
3. Item No. 03 – Exam Hall Table
Leg Section Should be 1.8” x 1.8” – Dimension may vary by + or - 0.05 inch from the specified dimension.
4. Item No. 04 – Office Table with Drawers for Lecture Room and Clerk
PVC Edge banding – should be 1 mm
5. Item No. 05 – Office Table Assistant Director Level
Base should be 18 mm.
6. Item No. 07 – Wooden File Cupboard
**Height should be 6’, Depth should be 1 ½ ‘
Should be there 04 shelves**
7. Item No. 08 – Lecturer/ Instructor High Back Chair
Should be Nylone Base instead Chrome Base
8. Item No. 09 – Executive Chair (High Back – Assistant Director Level)
**Remove “Powder Coated Steel Frame”
It should be Nylone Base and should be Fabric**
9. Item No.10 – Visitor / Executive Chair (Mid Back)
Should be Fabric
10. Item No.11 – Computer Chair
Should be Fabric

11. Item No.16 – Wooden Made Laboratory Stool



Measurement Should be as follows

Material	- Wooden Mahogani / Teak
Amount	- 30 Nos
Length x Width x Height	- 14" x 14" x 24"x 2'
Thickness of the surface plate	- 1.25"

12. Item No.19 – Wooden File Cupboard

Should be Height 6', Width – 18"

Should be there 04 Shelves

13. Item No. 23 – Melamine Made Office Filing Rack Medium 03 Racks

Should be 3' x 3' x 18"

14. Item No.24 - Melamine Made Office Filing Rack Large 05 Racks

Width should be 18" , Height Should be 6'

Should remove "Solid Teak/Mahogany"

15. Item No.25 –Melamine Made Book Self

Dimension should be 3' x 3' x 18"

Should be there 03 shelves

16. Item No.26 – Wooden Made Library Book Racks

Dimension should be 6' x 3' x 18"

Should be there 05 shelves

****Delivery Period –90 days for Wooden Made items and 60 days for other items.**

EXAMINATION CHAIR – STANDARD SPECIFICATION (INCHES)



Backrest Height Above Seat
16.9"

Seat Thickness
0.8"

Foot Rail Height from Floor
7.1"



STANDARD WOODEN CHAIR SPECIFICATION (INCHES)

Item	Dimension (Inches)
Overall Height	34.5" – 35.5"
Seat Height from Floor	17.5" – 18"
Seat Width	Minimum 17" – 18"
Seat Depth	16" – 18"
Backrest Height Above Seat	15" – 18"
Overall Width	17" – 19"
Overall Depth	20" – 22"
Seat Thickness	Minimum ¾"
Leg Section	Minimum 1¼" × 1¼"
Load Capacity	Minimum 265 lbs (120 kg)

SUGGESTED DETAILED DIMENSIONS (BASED ON THE CHAIR IN THE IMAGE)

Component	Dimension
Overall Height	34.6"
Seat Height	17.7"
Seat Width	17.7"
Seat Depth	16.9"
Backrest Height Above Seat	16.9"
Front Leg Size	1.8" × 1.8"
Rear Leg Size	1.8" × 1.8"
Seat Thickness	0.8"
Back Slat Thickness	0.8"
Foot Rail Height from Floor	7.1"

PROCUREMENT SPECIFICATION (IMPERIAL UNITS)

Wooden Chair

Supply and deliver hardwood chairs with a ladder-back design and solid wooden seat. The chair shall have a seat width not less than 18 inches, seat depth not less than 17 inches, seat height approximately 18 inches, and overall height approximately 35 inches. The frame shall be constructed from seasoned hardwood with a minimum leg section of 1¼ inches × 1¼ inches. The chair shall safely support a load of not less than 265 pounds (120 kg). All surfaces shall be smooth, free from defects, and finished with stain and clear polyurethane or equivalent protective coating.

PROCUREMENT-FRIENDLY TOLERANCE

Dimensions may vary by ±0.5 inch from the specified dimensions, provided the chair maintains the required functionality, durability, and appearance.

***Dimension may vary by + or – 0.05 inch

